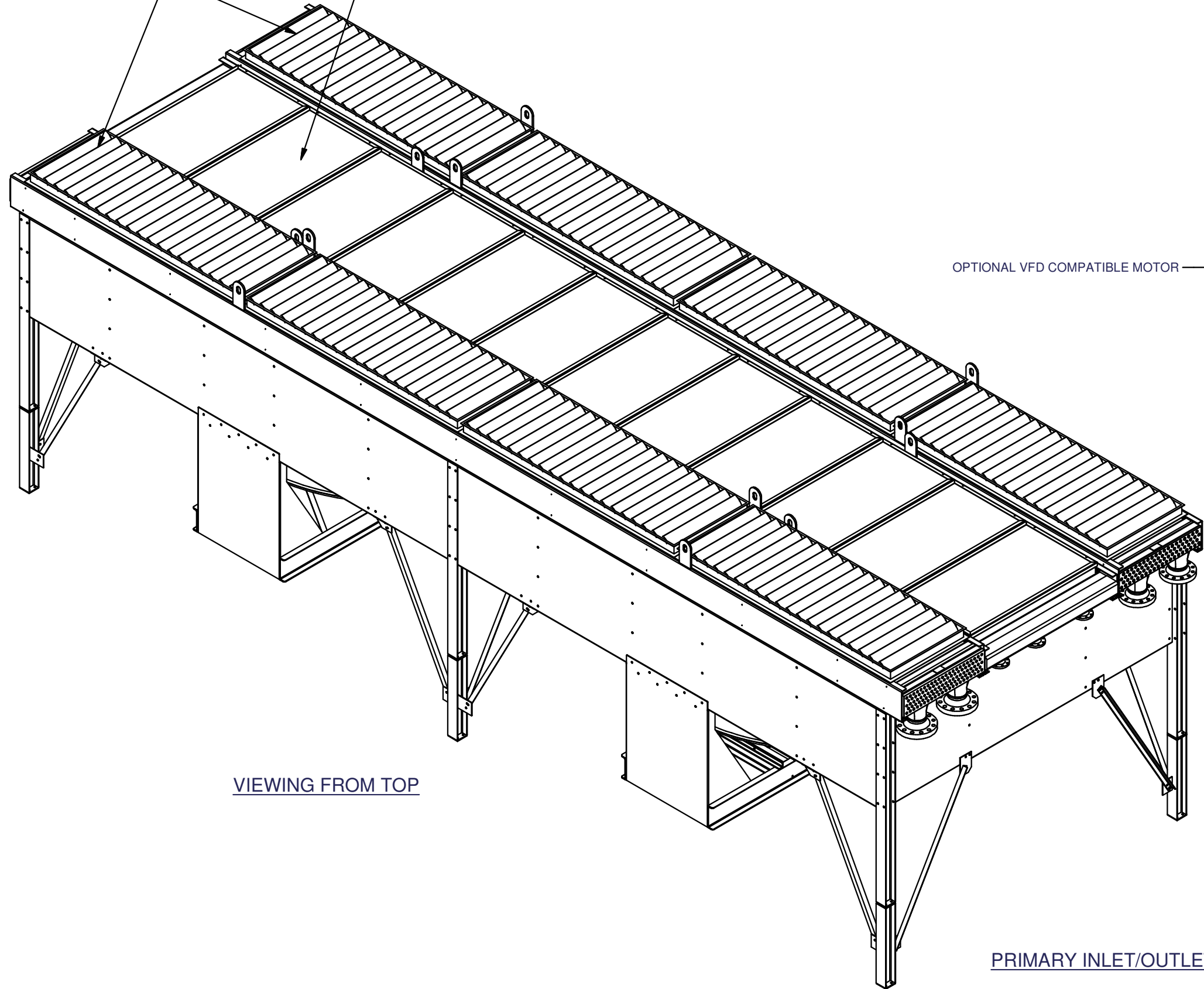


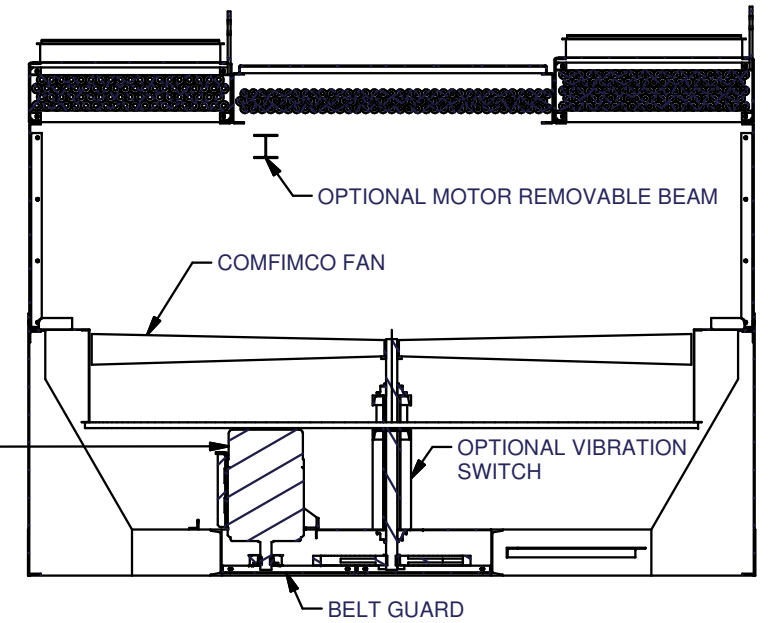
OPTIONAL LOUVERS (TYP)

(TYP) OPTIONAL HAIL GUARDS FOR NON-PERSONNEL LOADS.
ADDITIONAL OPTION FOR PERSONNEL LOADS.



VIEWING FROM TOP

PRIMARY INLET/OUTLET END



TYPICAL BELT DRIVE

HUDSON PRODUCTS CORPORATION BEASLEY, TEXAS Registration No: F-11837			
H	HUDSON COMPRESSION COOLING BEASLEY, TEXAS		
	MODEL F HORIZONTAL FORCED DRAFT		
DWN:	CHK'D:	APP:	DATE:
JOB NO:		DWG NO:	
REV:	SCALE:	QTY:	

SHEET: 1 OF 1 WT.